



SPECIFICATIONS LA212

DESCRIPTION

A 2-way full range system (passive LF/HF crossover) in a vented dual purpose (main/stage monitor) enclosure. Includes a 12-in woofer and a 2-in exit/3-in voice coil compression driver on a Wave Guide Plate™.

APPLICATIONS

The LA212 integrates with other LA Series loudspeakers to build an expandable total system. Includes rubber feet and a stand mount cup for use as a small main and rubber footpads for use as a stage monitor. Integrated handles and mounting/suspension points. Six Year Warranty.

Applications include:

- Ballroom Events
- Corporate Events
- Band PA

PERFORMANCE

Frequency Response (Hz)	
±3 db	60Hz to 18kHz
-10 dB	50Hz
Axial Sensitivity (dB SPL/1 Watt/1m)	
97	
Impedance (Ohms)	
8	
Power Handling, AES Standard (Watts)	
500	
Calculated Maximum Output (dB SPL, @ 1m)	
Peak	130.0
Long Term	124.0
Nominal Coverage Angle / -6 dB points (degrees)	
Conical	90
Recommended Complementary Systems	
Sub	LA118



PHYSICAL

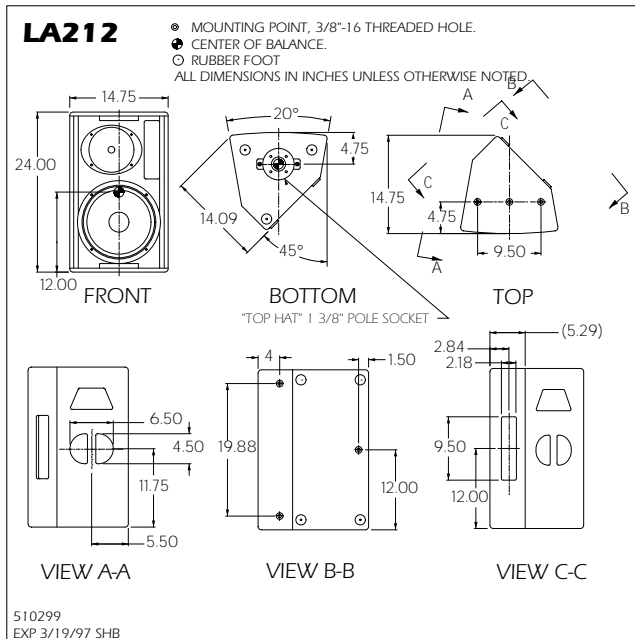
Part Number	999267	
Product Group	G	
LF Subsystem & Loading	1x 12-in, vented	
HF Subsystem & Loading	1x 2-in exit/3-in voice coil compression driver on Wave Guide Plate™	
System Configuration	2-way, full range	
Powering Configuration(s)	Passive LF/HF crossover	
Recommended High-Pass Frequency (24 dB/Octave)	50 Hz	
Cabinet Type (shape)	Irregular pentagon (floor monitor)	
Enclosure Materials	Baltic birch plywood	
Finish	Black catalyzed polyurethane	
Connectors	2x Neutrik NL4 connectors	
Suspension Hardware	(3) 3/8"-16 threaded mounting/suspension points (1 top, 2 back), rubber feet one side and one end, stand mount cup (bottom)	
Grille	Vinyl coated perforated steel	
Options	179001 flyclip with hook 179002 flyclip with ring	
Dimensions	inches	millimeters
Height	24	610
Width	14.75	375
Depth	14.75	375
Minimum Stage Height	14.94	379
Floor Angle(s)	50 degrees	
Weights	pounds	kilograms
Net Weight	52.0	23.7
Shipping Weight	60.0	27.3





SPECIFICATIONS LA212

DIMENSIONAL DRAWING



SERVICE ITEMS

MF: Complete Cone Driver

EAW Part No. 804051

HF: Complete Compression Driver/Tweeter

EAW Part No. 803028

Filter/Crossover Network: Complete Assembly

EAW Part No. 225134

A & E SPECIFICATIONS

The two-way full range loudspeaker systems shall incorporate a 12-in LF transducer and a 2-in exit/3-in voice coil compression driver HF transducer.

The LF driver shall be mounted in a vented enclosure tuned for optimum low frequency response. The HF driver shall be loaded on an axis-symmetrical wave guide plate with a nominal coverage pattern of 90° (conical). An internal passive filter network shall provide fourth order acoustical crossover and system equalization.

System frequency response shall vary no more than ± 3 dB from 60 Hz to 18 kHz measured on axis. The loudspeaker shall produce a Sound Pressure Level (SPL) of 97 dB SPL on axis at 1 meter with a power input of 1 Watt, and shall be capable of producing a peak output of 130 SPL on axis at 1 meter. The loudspeaker shall handle 500 Watts of amplifier power (AES Standard) and shall have a nominal impedance of 8 Ohms.

The loudspeaker enclosure shall be irregularly trapezoidal in shape. Rubber footpads shall be provided on one side and one end. It shall be constructed of 1/2-in thickness void-free cross-grain-laminated Baltic birch plywood and shall employ extensive internal bracing. It shall be finished in black catalyzed polyurethane. Input connectors shall be dual Neutrik NL4 Speakon. Three 3/8"-16 threaded mounting/suspension points (1 top, 2 back) shall be provided as well as a recessed cup to accept a standmount pole. The front of the loudspeaker shall be covered with a vinyl coated perforated steel grille.

The two-way full range loudspeaker shall be the EAW model LA212.